

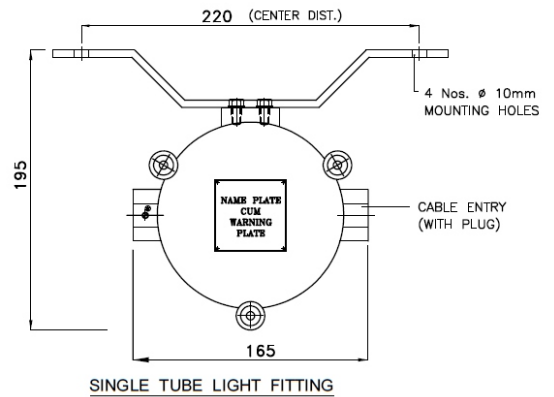


DATA SHEET FOR FLP LED TUBE LIGHT FITTING

FLP-WP-TUBE LIGHT LED FITTING IIA & IIB

TECHNICAL DATA:

- PRODUCT : CAT. NO.- FF/1272
- ENCLOSURE : FLAME PROOF (Ex -d), Gas Group IIA , IIB ,
As per IS/IEC 60079-1 : 2014
- PROTECTION : WEATHER PROOF IP - 66 AS PER IS/IEC 60529:2001
(Reaffirmed 2014)
- AREA CLASSIFICATION : Ex db IIB T6 Gb (EX tb / tc IIIC T85° C Db)
ZONE 1 & 2 & Zone 21 & 22
- CERTIFICATION : CIMFR, BIS, PESO
- TEMPERATURE CLASS : T 6
- MATERIAL : DIE CAST ALUMINIUM ALLOY
- FINISH : EPOXY POWDER COATED SHADE AS PER IS : 5
- EARTHING : 1 No INTERNAL & 2 No's EXTERNAL
- HARDWARE : STAINLESS STEEL
- GASKET : 'O' RING ENDLESS GASKET NEOPRENE / SILICON
- NAME PLATE : SS NAME PLATE CUM WARNING PLATE
- GLASS : TUBULAR HEAT RESISTANT CLEAR GLASS
- ENTRIES : 2 Nos M20 / ½ " NPT / EQUIVALENT
- VOLTAGE : 140 V - 270 V (240 V AC)
- POWER FACTOR : ≥ 0.95
- INPUT FREQUENCY : 50 Hz.
- EFFICACY : ≥ 100 LUMEN PER WATT
- COLOUR (CCT) : 3000K / 5700K / 6500 K / OR AS SPECIFIE
- SURFACE TEMPERATURE : MAX . 70°
- WIRE GUARD : MS WHITE EPOXY POWDER COATED.
- LED MAKE : EVERLITE OR EQUIVALENT

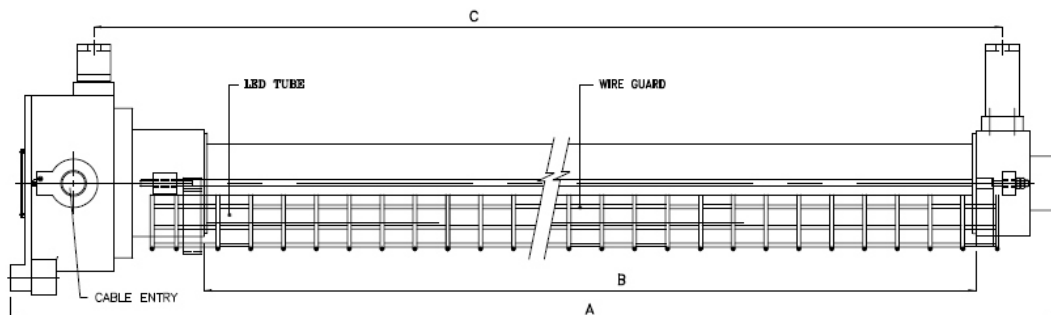


OPTIONS

SR.NO	PARTICULAR	OPTIONS
1.	MATERIAL OF CONSTRUCTION	STAINLESS STEEL
2.	LED TYPE	TUBE ROD
3.	WIRE GUARD	SS
4.	GLAND & PLUG	BRASS / SS / ALUMINIUM
5.	COLOUR SHADE	631, 632, 355, 7031, 7032 etc..

SELECTION CHART

SR.NO	WATTAGE	SIZE	PART NO
1	1 X 20	4 FEET	FF/1272 / 1 / 20
2	2 X 20	4 FEET	FF/1272 / 2 / 20
3	1 X 40	4 FEET	FF/1272 / 1 / 40
4	2 X 40	4 FEET	FF/1272 / 2 / 40
5	1 X 10	2 FEET	FF/1272 / 1 / 10
6	2 X 10	2 FEET	FF/1272 / 2 / 10



FRONT VIEW OF TUBE LIGHT FITTING